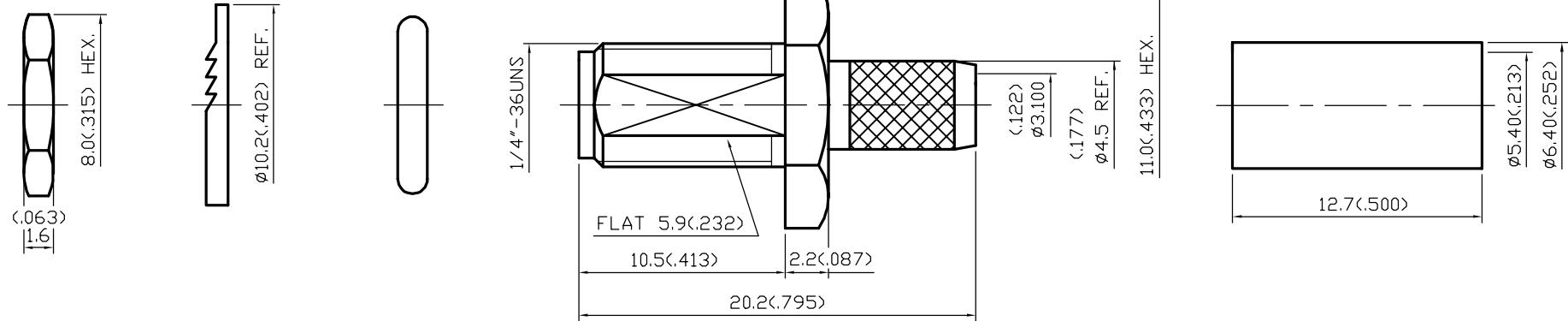


NO	DESCRIPTION	DATE
△	SILICONE → RUBBER	12.01.03



NOTES: UNLESS OTHERWISE SPECIFIED

1. BODIES: BRASS PER JIS-C3604
2. CENTER CONTACT: BRASS PER JIS-C3604
3. INSULATION: TEFLON PER ASTM D1457 AND ASTM D1710
4. CRIMP FERRULE: BRASS PER JIS-C2700
5. PART TO BE CLEAN AND FREE OF BURRS

MOUNTING HOLE

STRIPPING DIMENSION

7	CENTER CONTACT	BRASS	1	GOLD 50 μ" MIN.
6	FERRULE	BRASS	1	GOLD
5	WASHER	BRASS	1	GOLD
4	NUT	BRASS	1	GOLD
3	BODY	BRASS	1	GOLD 3 μ" MIN.
2	INSULATION	TEFLON	1	NONE
1	O-RING	RUBBER	1	BLACK
NO	DESCRIPTION	MATERIAL	Q'TY	FINISH



DESCRIPTION		RP-SMA STRAIGHT BULKHEAD JACK CRIMP					
製圖	DRAWN	TOLERANCE	品名	35-03/ROHS COMPLIANT	DATE	版次	REV.
		.X ±0.2	TITLE	58U (50Ω)	04.13.00	A-1	
檢圖	CHECK	.XX ±0.1	單位	DWG.NO.	35-0013		
		.XXX ±0.05	mm(in)				
認定	APPROV	ANGLE ±5°	比例				