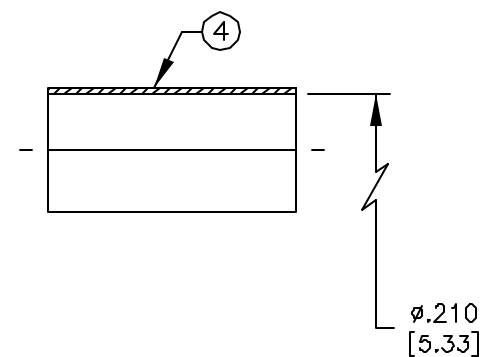
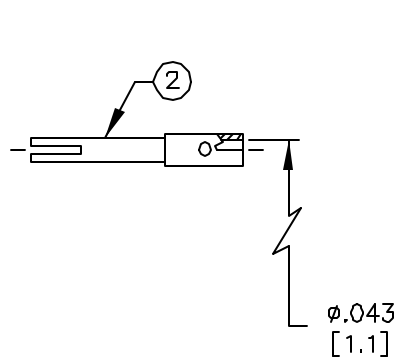
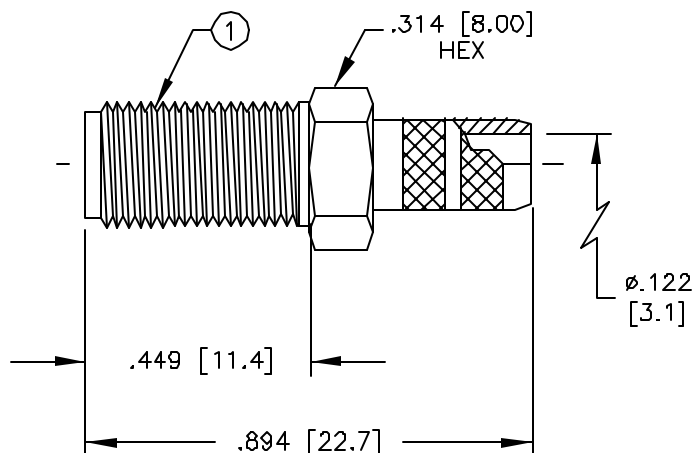


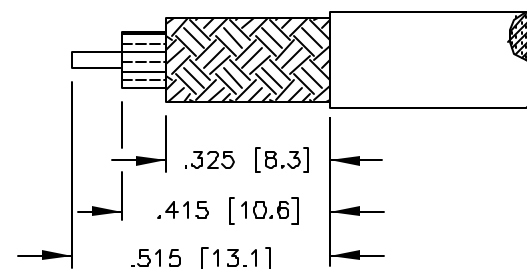
© COPYRIGHT 1997 BY SPC TECHNOLOGY. ALL RIGHTS RESERVED. NO PORTION OF THIS PUBLICATION, WHETHER IN WHOLE OR IN PART CAN BE REPRODUCED WITHOUT THE EXPRESS WRITTEN CONSENT OF SPC TECHNOLOGY.

REVISIONS		DOC. NO. SPC-FD05, Total Pages: 2 Effective: 3/3/97, DCP No: 103, Supersedes DCP No: 97						
DCP #	REV	DESCRIPTION	DRAWN	DATE	CHECKD	DATE	APPRVD	DATE
428	B	CHANGE ELECTRONIC FILE NAME	DJC	2/12/98	JC	2/17/98	JC	2/17/98
565	C	REMOVED FLATS FROM ITEM 1	DJC	7/2/98	JC	7/6/98	JC	7/6/98



SPECIFICATIONS:

IMPEDANCE: 50 OHMS
 WORKING VOLTAGE: 375 PEAK @ SEA LEVEL
 FREQUENCY RANGE: 0-12.4 GHz
 INSERTION LOSS: ≤ -0.2 dB @ 6 GHz
 VSWR MAX: 1.3:1 @ 12 GHz
 FOR RG-58, 58A, 58C, 141, 141A, 400/U, BELDEN 8240, 8259, 8262, 9201, 9203, 9310, 9311, COMM/SCOPE 0268 & CUSHCRAFT ULTRALINK TL92463E
 INTERFACE PER MIL-STD-348A, SECTION 310.2



SUGGESTED STRIPPING INSTRUCTIONS
 RECOMMENDED CRIMP DIE: .213
 CONTACT TO BE SOLDERED

4	FERRULE	1	BRASS	NICKEL
3	DIELECTRIC	1	TEFLON	NONE
2	CONTACT	1	BERILLIUM COPPER	GOLD
1	BODY	1	BRASS	NICKEL
ITEM	DESCRIPTION	QTY	MATERIAL	FINISH

DISCLAIMER
 ALL STATEMENTS AND TECHNICAL INFORMATION CONTAINED HEREIN ARE BASED UPON INFORMATION AND/OR TESTS WE BELIEVE TO BE ACCURATE AND RELIABLE. SINCE CONDITIONS OF USE ARE BEYOND OUR CONTROL, THE USER SHALL DETERMINE THE SUITABILITY OF THE PRODUCT FOR THE INTENDED USE AND ASSUME ALL RISK AND LIABILITY WHATSOEVER IN CONNECTION THEREWITH.



SPC TECHNOLOGY
 CHICAGO, IL 60640-4496

DIMENSIONS ARE FOR REFERENCE PURPOSES ONLY.	DRAWN BY:	DATE:	DRAWING TITLE:		
	DANIEL CAREY	4/1/97	SMA FEMALE CRIMP		
	CHECKED BY:	DATE:	SIZE	DWG. NO.	CAD FILE
	JOHN COLE	4/8/97	A	8589-0836	16N2718.DWG
APPROVED BY:	DATE:	SCALE: NTS		U.O.M.: INCHES [mm]	REV
BRETT BRAATZ	4/16/97				C
			SHEET: 1 OF 1		