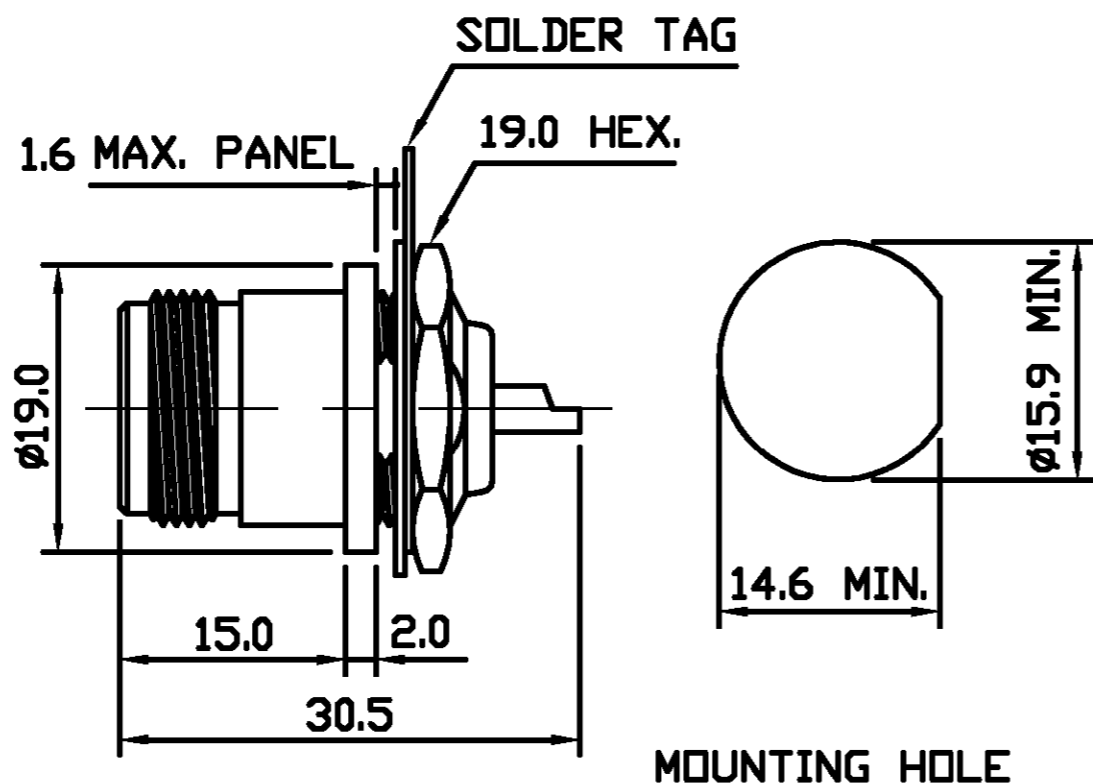


LOC	DIST	REVISIONS			
P	LTR	DESCRIPTION	DATE	DWN	APVD
E	B	B	EB00 - 0304 - 01	20-9-01	RG FWK



△ SUPPLIED SEMI-ASSEMBLED (PACK CONTAINS LOOSE PIECES)
VIEW SHOWS ASSEMBLED CONNECTOR.

ALL DIMENSIONS ARE NOMINAL. FOR REFERENCE ONLY.

DIE SET PART NUMBER	N/A
HANDTOOL PART NUMBER	N/A
FOR USE ON CABLES	N/A
CONNECTOR PLATING DETAIL	SILVER
CONTACT PLATING DETAIL	SILVER
DIELECTRIC MATERIAL	TEFLON
GASKET MATERIAL	N/A

THIS DRAWING IS A CONTROLLED DOCUMENT.

DIMENSIONS:	TOLERANCES UNLESS OTHERWISE SPECIFIED:
MM	
0 PLC	±
1 PLC	±
2 PLC	±
3 PLC	± -
4 PLC	± -
ANGLES	±
MATERIAL	FINISH
-	-

DWN	R.SMITH	07-SEP-00
CHK	R.GOODALL	07-SEP-00
APVD	R.GOODALL	07-SEP-00
PRODUCT SPEC	108-3435	
APPLICATION SPEC	-	
WEIGHT	-	
CUSTOMER DRAWING		

BAG		SINGLE ITEM	1-1337417-0
PACK TYPE		DESCRIPTION	PART NUMBER
Tyco Electronics Corporation Stanmore, Middlesex, HA7 4RS			
NAME TYPE-N BULK HEAD SOCKET 50 Ohm			
SIZE	CAGE CODE	DRAWING NO	RESTRICTED TO
A3	00779	C-1337417	-
SCALE		SHEET	REV
NTS		1 OF 1	B