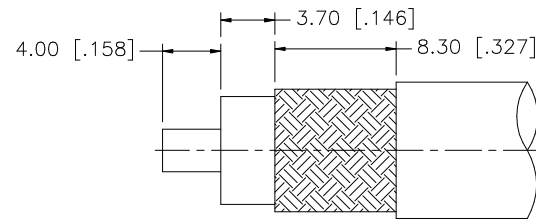
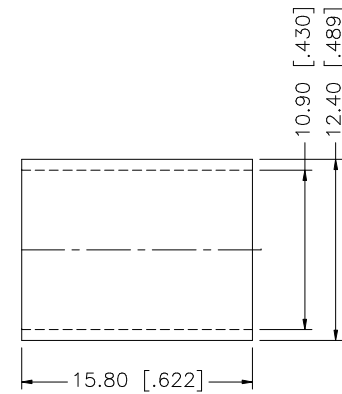
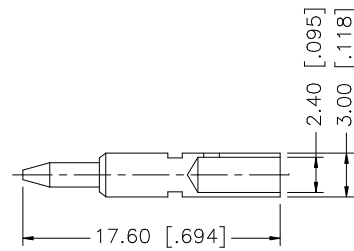
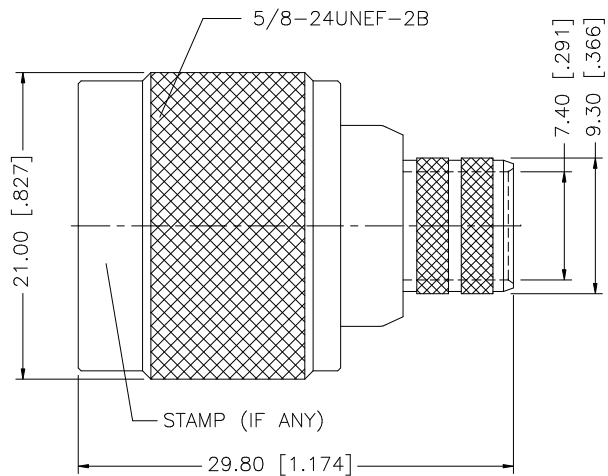


REV.	DATE	DESCRIPTION
A	02/24/03	UPDATE DRAWING FORMAT



RECOMMENDED
CABLE STRIPPING DIM'S

NOTE:

1. CRIMPED FERRULE
HEX CRIMP SIZE .429"
2. CRIMPED CONTACT PIN
HEX CRIMP SIZE .100"

DESCRIPTION	MATERIAL	FINISH	QTY	DO NOT SCALE DRAWING	APPROVALS	DATE	Amphenol Connex								
8					DRAWN	G.R.S.	02/24/03	PART DESCRIPTION N CRIMP PLUG (FOR RG-8/U, 213/U, 393/U CABLE)							
7					CHECKED										
6	FERRULE	COPPER	NEXCOTE	1	ISSUED			PART NO. 172102							
5	CONTACT PIN	BRASS	GOLD	1	SHEET	1 OF 1									
4	RETAINER RING	SUS 304	NATURAL	1				DWG. NO.	172102.DWG	REV.	A	SIZE	A	SCALE	NA
3	GASKET	SILICONE	RED	1											
2	INSULATOR	TEFLON	NATURAL	1											
1	SHELL/BODY	BRASS	NEXCOTE	1											
					CAD FILE	C:/172/172102.DWG									

UNLESS OTHERWISE SPECIFIED DIMENSIONS ARE IN MILLIMETERS, DIMENSIONS IN [] ARE IN INCHES AND FOR CUSTOMER REFERENCE ONLY.

UNLESS OTHERWISE SPECIFIED TOLERANCES FOR MILLIMETERS ARE:
0.5 - 8mm ± 0.20mm
8 - 30mm ± 0.40mm
30 - 120mm ± 0.50mm

UNLESS OTHERWISE SPECIFIED TOLERANCES FOR INCHES ARE:
.020 - .315 = ± 0.007"
.315 - 1.180 = ± 0.015"
1.180 - 4.724 = ± 0.020"